

Reservoir Tank

POWER ASSISTED SYSTEM (POWER STEERING)

8. Reservoir Tank

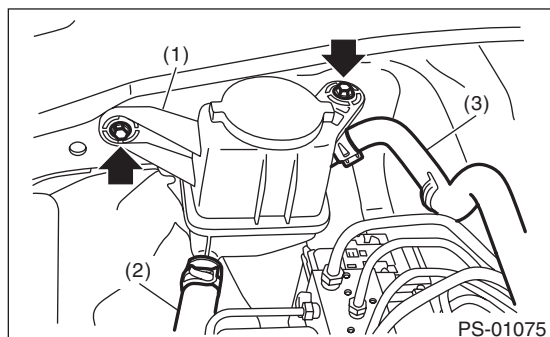
A: REMOVAL

- 1) Drain fluid from the reservoir tank.
- 2) Disconnect the hose from reservoir tank.

CAUTION:

Plug the ends of the hose and pipe to prevent foreign matter from entering.

- 3) Remove the reservoir tank from the body.



- (1) Reservoir tank
- (2) Suction hose
- (3) Return hose

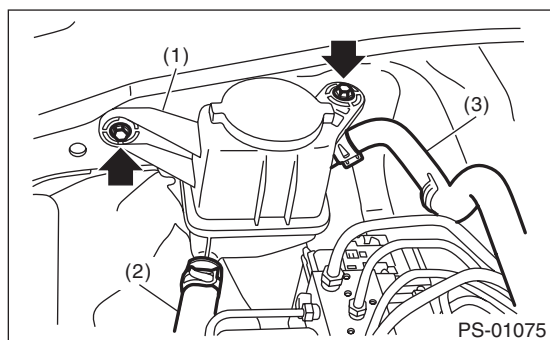
B: INSTALLATION

- 1) Install the reservoir tank to the body.

Tightening torque:

13 N·m (1.33 kgf·m, 9.6 ft·lb)

- 2) Connect the hose to the reservoir tank.



- (1) Reservoir tank
- (2) Suction hose
- (3) Return hose

- 3) Replenish power steering fluid up to the specified level. <Ref. to PS-75, INSPECTION, Power Steering Fluid.>

C: INSPECTION

Check the reservoir tank for cracks, breakage or damage. If a failure is found, replace the reservoir tank.